



S100 / OPMI pico

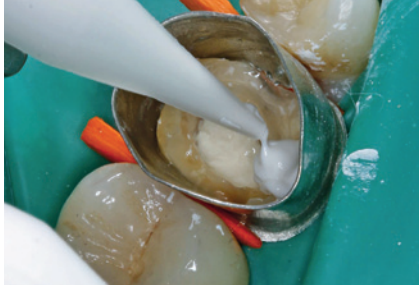
## OPMI pico

Quality you can see.  
Performance you can feel.

**NEW!**  
HD recording



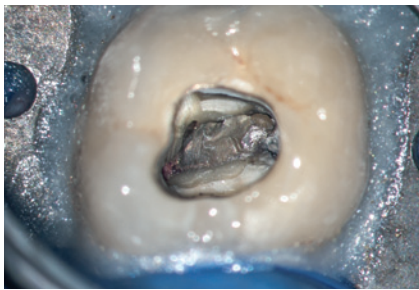
We make it visible.



**Restorative dentistry**

Quickly detect enamel and dentine fractures as well as approximal caries. High-precision views enable accurate assessment of crown edges, preparation levels and veneers.

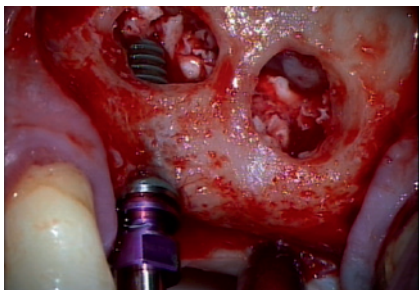
› Image courtesy of Dr. Wolfgang Gänsler  
Illertissen, Germany



**Endodontics**

Visualize fine anatomical structures and details of root canals and isthmuses. The visibility provides a clear view down to the apex.

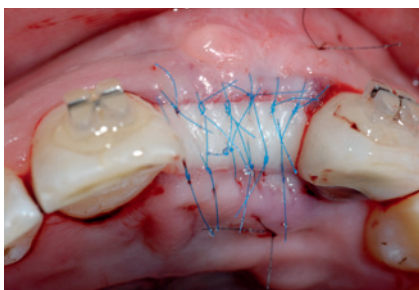
› Image courtesy of Oscar Freiherr von Stetten  
Stuttgart, Germany



**Implantology**

Conduct high-precision examinations and implant treatments quickly and confidently. Reliably detect important anatomical structures.

› Image courtesy of Dr. Behnam Shakibaie  
Tehran, Iran



**Periodontics**

Benefit from support for soft-tissue evaluation and management to aid healing, low scarring and improved cosmetic outcomes.

› Image courtesy of Dr. Rino Burkhart  
Zurich, Switzerland



## **OPMI pico**

### Quality you can see

OPMI® pico makes details and fine structures clearly visible. It enables you to better visualize the regions of interest and consistently provide your patients with high-quality examinations and treatments.

The compact, high-performing, easy-to-use OPMI pico offers solid support for the most demanding applications – whether in restorative dentistry, endodontics, implantology or periodontics.

OPMI pico's cost-effective illumination options offer solutions for all specialized dental offices to meet your standards and needs. Complete integration of the light source makes it easier to clean the system.

Highly ergonomic functions enable various users to conveniently adjust the focal length while maintaining their preferred working posture.

OPMI pico also features camera options to facilitate patient consultation and documentation; depending on the specific needs in your practice.



## For a better view

OPMI pico enables you to visualize high-contrast, true-color images – the key to improving the quality of the examination and treatment.

With OPMI pico, optics and illumination go hand in hand.



### **View the whole mouth**

*The Varioskop® 100 objective lens allows you to adjust the focal length over a large range (100 mm) to focus on virtually any image detail – large or small – from the entire mouth down to fine anatomical structures.*

### **Better overview**

*The large field of view lets you visualize the entire oral cavity – providing a more comprehensive view and improved orientation of the horizontal axis.*

# Illumination concept for dentistry

The choice is yours:

OPMI pico is available with halogen, LED and xenon



### **Halogen for standard applications**

Light source for all standard applications and routine examinations in your daily practice.



### **LED for premium applications**

For color rendition and light that strongly resembles natural daylight. It is a very cost-effective and virtually maintenance-free light source. The very low heat output requires minimal ventilation and produces very low noise levels.



### **Xenon for premium plus applications**

For highest demands and professional documentation, the shadowless illumination puts light exactly where it is needed. Even root canals are perfectly illuminated and imaged.



### **Wide-field eyepieces provide a large field of view with a 3D image**

Special diopter settings also make them suitable for eyeglass wearers.



### **More time for one treatment**

Orange filter prevents premature curing.

› Image courtesy of Dr. Wolfgang Gänsler  
Illertissen, Germany



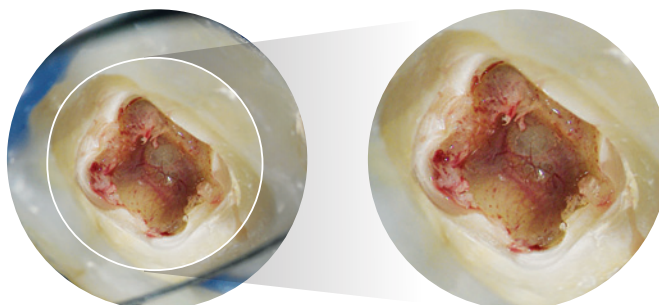
### **Full overview of fine details**

OPMI pico delivers high-quality images at every magnification level.

### **Full overview – from optimum to maximum**

The Foldable Tube f170/f260 boosts 150% detail magnification with the PROMAG™ function.

› Image courtesy of Dr. Bijan Vahedi  
Augsburg, Germany





## For better ergonomics

A stiff neck, a sore back – things you experience all too often after a hard day's work. With OPMI pico and features like the Varioskop 100, MORA interface, 180° tiltable tube, Foldable Tube f170/f260 and the specially tailored ergonomic handgrips, these are all a thing of the past.

You can sit comfortably in an upright, ergonomically correct position during treatment for a more relaxed working day.



### **More comfort**

Varioskop 100 enables users to conveniently adjust the focal length without leaving their preferred working position – a true advancement that helps prevent neck strain and back problems.

### **Greater depth**

Varioskop's adjustment knob allows you to adapt the focal length over a large distance to focus on the whole mouth as well as minute details in the vertical axis – without moving the OPMI pico.

### **Adjust the OPMI pico to you and not vice versa**

Reduce or increase the distance for the required treatment field as needed with the patented multilink design of the Foldable Tube f170/f260. With its long reach, this highly flexible system easily accommodates the needs of the user and different positions of the patient.



### **Ergonomic design in your hands**

Adjustable connectors make it possible to individually arrange the handgrips. Ergonomically correct angles for dental treatments are provided.

### **Comfortable overview**

The MORA interface allows you to maintain a comfortable upright viewing position at all times, regardless of the angle of the system. You'll never have to take your eyes off your patient.





## To create more trust

Real-life pictures are very convincing. OPMI pico can accommodate a full HD video camera, allowing you to present patients with high-definition material to explain procedures. In addition, you can vividly display results at conferences. Recordings can be used either to teach anatomy and procedures or to simply document work in HD quality.

### Presentation at conferences



### Integrated camera advantages

- The integrated full HD video camera delivers images with definition and differentiation of details
- All functional elements are completely integrated into the system to avoid workspace clutter
- Conveniently fine-tune images with single button operation of the integrated video control console
- Ready for use when OPMI pico is switched on
- Supports the co-observation and documentation
- Simplified cleaning of the housing



# Integrated HD video camera

The choice is yours.

Depending on your specific practice needs – you can choose between three integrated HD video camera versions for intuitive handling and direct access to the most important features on the control board:

## ■ HD-ready 720p

Live video quality

## ■ Full HD 1080p

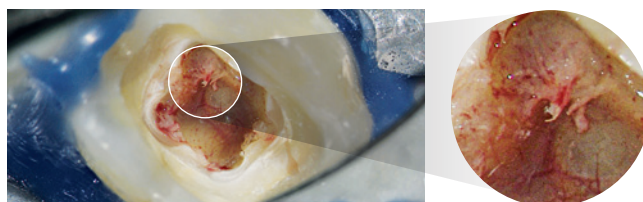
For highest demand of live video quality

## ■ Live & streaming (Full HD 1080p) with recording license

- 1 Stream live video into the network for viewing through various devices.
- 2 Smart recording: Record video that occurred 30 seconds in the past.
- 3 Record onto shared network or USB device as well as have easy transfer of still images and HD videos to patient management software.
- 4 Create Full HD images during recording or from a recorded video.



HD-ready 720p image

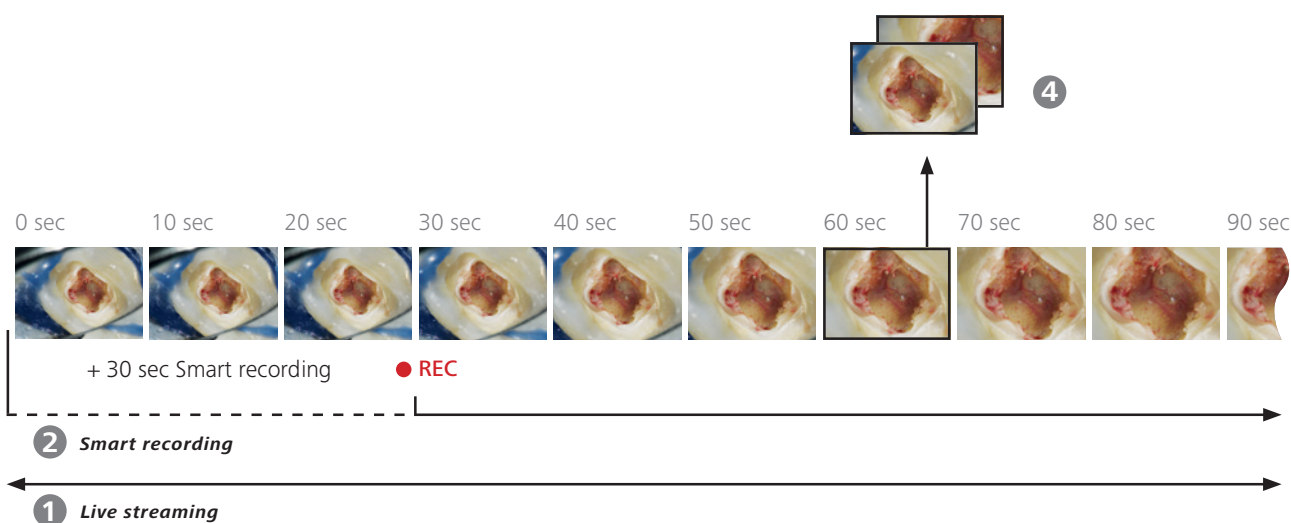


Full HD 1080p image



### 3 Easy transfer of still images and HD videos

› Image courtesy of Dr. Bijan Vahedi Augsburg, Germany





**Brightness control**  
Adjustment at your fingertips  
while you are working.

**Foldable Tube f170/f260**  
Supports an almost unlimited  
variety of working positions.

**MORA interface**  
Lets you conveniently and  
precisely move OPMI pico into  
the desired position.

**Integrated Full HD 1080p camera**  
High-definition for your patient  
consultation or documentation.

**Ergonomic handgrips**  
Convenient positioning with  
the ergonomic handgrips.

**Varioskop optics**  
Adjust the focal length  
over a large range to focus  
on the whole mouth or  
minute details.

## For better integration

A highly compact instrument with a small footprint, OPMI pico fits seamlessly into virtually any practice workflow environment. Simply plug in the cable, switch the power on, and the OPMI pico is ready for use.

### Integrated light source

In addition to LED, OPMI pico is also available with integrated halogen and xenon illumination. Control the brightness at your fingertips while you are working.

### Intuitive video adjustment

Conveniently operate images with single button operation of the integrated video control console. Once the power is on, OPMI pico is ready for recording, documentation and communication.

### Complete integration of technology and design in the suspension arm for a well-balanced architecture

Functional elements such as the video control console, HD video camera, cables, light sources and light guides are completely integrated into the stand to avoid workspace clutter.

### Workplace integration

OPMI pico is compatible with a large variety of dental treatment units from other manufacturers.



*OPMI pico is ideally integrated into the practice environment*

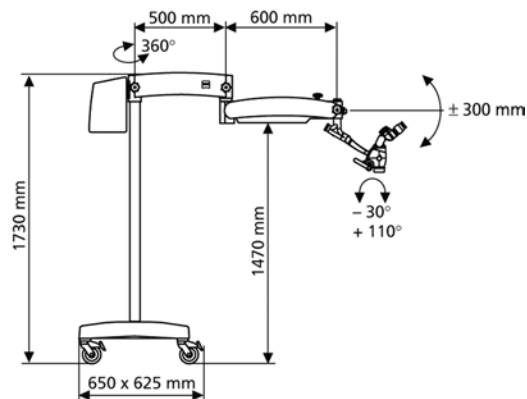
› Soaric treatment unit  
image courtesy of Morita

# Technical data

## S100/OPMI pico

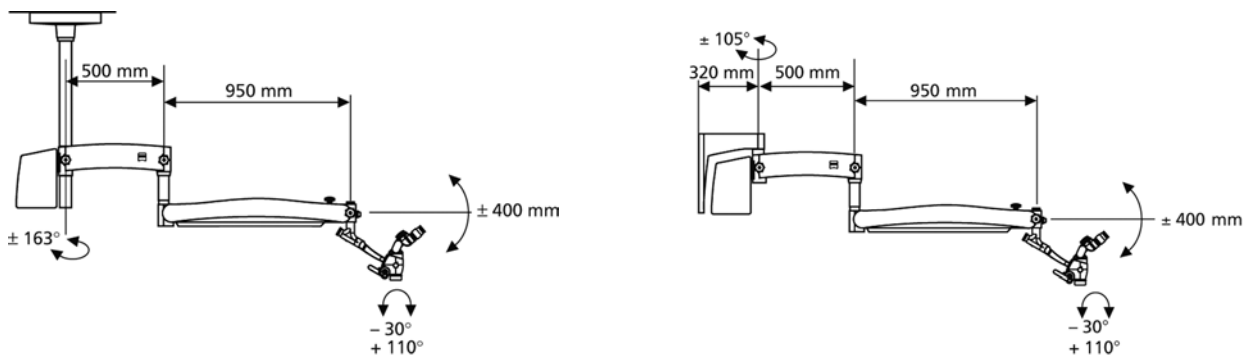
### Basic configuration

Magnification system	Manual apochromatic magnification changer
Eyepieces	12.5x wide-field eyepieces; also suitable for eyeglass wearers
Tubes	Inclined 45° binocular tube, f =170 mm
Focus	f=250 mm, focusable
Illumination system	Halogen illumination
Handgrip	Standard handgrip
Mount mobility	120° coupler
Suspension system	Floor stand



## Optional configuration

<b>Eyepieces</b>	<ul style="list-style-type: none"> <li>■ 10x wide-field eyepieces with reticle; also suitable for eyeglass wearers</li> <li>■ 12,5x wide-field eyepieces with reticle</li> </ul>
<b>Tubes</b>	<ul style="list-style-type: none"> <li>■ Tilttable tube 0°-180°, f = 170 or 200 mm or</li> <li>■ Foldable Tube f170/f260 with PROMAG function boosts to 150% detail magnification</li> </ul>
<b>Focus</b>	<ul style="list-style-type: none"> <li>■ Varioskop 100, focusable working distance 200–300 mm</li> <li>■ f=200 mm, focusable</li> <li>■ f=300 mm, focusable</li> </ul>
<b>Illumination system</b>	<ul style="list-style-type: none"> <li>■ LED illumination or</li> <li>■ Xenon illumination</li> </ul>
<b>Handgrips</b>	<ul style="list-style-type: none"> <li>■ Comfort handgrips</li> <li>■ Front handgrips</li> <li>■ T-handgrip</li> </ul>
<b>Mount mobility</b>	<ul style="list-style-type: none"> <li>■ MORA interface without 120° coupler</li> <li>■ MORA interface with 120° coupler</li> </ul>
<b>Suspension system</b>	<ul style="list-style-type: none"> <li>■ Suspension mount or</li> <li>■ Centro mount or</li> <li>■ Ceiling mount or</li> <li>■ Wall mount (wallplate)</li> </ul>



## Accessories

<b>Integrated video camera</b>	<ul style="list-style-type: none"> <li>■ HD-ready 720p or</li> <li>■ Full HD 1080p or</li> <li>■ Live &amp; streaming (Full HD 1080p) with recording license</li> <li>■ Cables</li> <li>■ HD monitors</li> </ul>
<b>External video solutions</b>	<ul style="list-style-type: none"> <li>■ Adapter for single lens reflex cameras or</li> <li>■ FlexioStill™ adapter for digital cameras or</li> <li>■ FlexioMotion™ adapter for digital camcorders</li> </ul>
<b>Asepsis</b>	<ul style="list-style-type: none"> <li>■ Splash protection for the objective lens</li> <li>■ VisionGuard® drapes for sterile work environment</li> </ul>
<b>Optics</b>	Double iris diaphragm to increase the depth of field
<b>Others</b>	Instrument tray on floor stand

The moment you see a hidden detail  
reveal a visible success.

**This is the moment we work for.**



// DENTAL OPTICS  
MADE BY ZEISS



#### Your local contact:

##### Argentina

Carl Zeiss Argentina S.A.  
Calle Nahuel Huapi 4015 / 25  
C1430 BCO Buenos Aires  
Argentina  
Phone: +54 11 45 45 66 61  
bruzzi@zeiss.com.ar

##### Australia

Carl Zeiss Pty Ltd  
Tenancy Office 4, Level 1  
40-52 Talavera Road  
North Ryde NSW 2113  
Australia  
Phone: +61 2 9020 1333  
med@zeiss.com

##### Austria

Carl Zeiss GmbH  
Laxenburger Str. 2  
1100 Vienna  
Austria  
Phone: +43 1 79 51 80  
austria@zeiss.org

##### Belgium

Carl Zeiss NV-SA  
Ikaroslaan 49  
1930 Zaventem  
Belgium  
Phone: +32 2 719 39 11  
info@zeiss.be

##### Brazil

Carl Zeiss do Brasil Ltda.  
Av. Nações Unidas, 21711  
CEP04795-100 São Paulo  
Brazil  
Phone: +55 11 5693 5521  
medbrasil@zeiss.org

##### Canada

Carl Zeiss Canada Ltd.  
45 Valleybrook Drive  
Toronto, ON M3B 2S6  
Canada  
Phone: +1 800 387 8037  
czcmed@zeiss.com

##### China

Carl Zeiss Shanghai Co. Ltd.  
1/f., Ke Yuan Building  
11 Ri Yin Nan Road  
Waigaoqiao Free Trade Zone  
2005 Yang Gao Bei Road  
Shanghai 200131  
China  
Phone: +86 21 5048 17 17  
sro@zeiss.com.cn

##### Czech Republic

Carl Zeiss spol. s.r.o.  
Radlická 14/3201  
150 00 Prague 5  
Czech Republic  
Phone: +420 233 101 221  
zeiss@zeiss.cz

##### France

Carl Zeiss Meditec France SAS  
100, Route de Versailles  
CS 30502  
78161 Marly-le-Roi Cedex  
France  
Phone: +33 1 34 80 21 00  
med@zeiss.fr

##### Germany

Carl Zeiss Meditec VG mbH  
Carl-Zeiss-Strasse 22  
73447 Oberkochen  
Germany  
Phone: +49 7364 20 6000  
vertrieb@meditec.zeiss.com  
Surgical Ophthalmology:  
Phone: +49 800 470 50 30  
iol.order@meditec.zeiss.com

##### Hong Kong

Carl Zeiss Far East Co. Ltd.  
Units 11-12, 25/F  
Tower 2, Ever Gain Plaza  
No. 88 Container Port Road  
Kwai Chung  
Hong Kong  
Phone: +852 2332 0402  
czfe@zeiss.com.hk

##### India

Carl Zeiss India Pvt. Ltd.  
Plot No.3, Jigani Link Road  
Bommasandra Industrial Area  
Bangalore - 560 099  
India  
Phone: +91 80 4343 8000  
info@zeiss.co.in

##### Italy

Carl Zeiss S.p.A.  
Viale delle Industrie 20  
20020 Arese (Milan)  
Italy  
Phone: +39 02 93773 1  
infomed.it@zeiss.com

##### Japan

Carl Zeiss Meditec Japan Co. Ltd.  
Shinjuku Ku  
Tokyo 160-0003  
22 Honchio-Cho  
Japan  
Ophthalmic instruments:  
Phone: +81 3 33 55 0331  
medsales@zeiss.co.jp  
Surgical instruments:  
Phone: +81 3 33 55 0341  
cmskoho@zeiss.co.jp

##### Malaysia

Carl Zeiss Sdn Bhd.  
Lot2, Jalan 243/51 A  
46100 Petaling Jaya  
Selangor Darul Ehsan  
Malaysia  
Phone: +60 3 7877 50 58  
malaysia@zeiss.com.sg

##### Mexico

Carl Zeiss de México S.A. de C.V.  
Avenida Miguel Angel de Quevedo  
496  
04010 Mexico City  
Mexico  
Phone: +52 55 59 99 0200  
cz-mexico@zeiss.org

##### Netherlands

Carl Zeiss B.V.  
Trapezium 300  
Postbus 310  
3364 DL Slidrecht  
Netherlands  
Phone: +31 184 43 34 00  
info@zeiss.nl

##### New Zealand

Carl Zeiss (N.Z.) Ltd.  
15B Paramount Drive  
P.O. Box 121 - 1001  
Henderson, Auckland 0650  
New Zealand  
Phone: +64 9 838 5626  
med@zeiss.com

##### Poland

Carl Zeiss sp. z o.o.  
ul. Lopuzanska 32  
02-220 Warsaw  
Poland  
Phone: +48 22 858 2343  
medycyna@zeiss.pl

##### Singapore

Carl Zeiss Ptd. Ltd.  
50 Kaki Bukit Place  
Singapore 415926  
Singapore  
Phone: +65 6741 9600  
info@zeiss.com.sg

##### South Africa

Carl Zeiss (Pty.) Ltd.  
363 Oak Avenue  
Ferndale  
Randburg 2194  
South Africa  
Phone: +27 11 886 9510  
info@zeiss.co.za

##### South Korea

Carl Zeiss Co. Ltd.  
Seoul 121-828  
Mapo-gu  
141-1, Sangsu-dong  
2F, BR Elitel Bldg.  
South Korea  
Phone: +82 2 3140 2600  
korea@zeiss.co.kr

##### Spain

Carl Zeiss Meditec Iberia S.A.U.  
Ronda de Poniente, 15  
Tres Cantos  
28760 Madrid  
Spain  
Phone: +34 91 203 37 00  
info@zeiss.es

##### Sweden

Carl Zeiss AB  
Tegeluddsvaegen 76  
10254 Stockholm  
Sweden  
Phone: +46 84 59 25 00  
info@zeiss.se

##### Switzerland

Carl Zeiss AG  
Feldbachstrasse 81  
8714 Feldbach  
Switzerland  
Phone: +41 55 254 72 00  
med@zeiss.ch

##### Thailand

Carl Zeiss Thailand  
90 CyberWorld Tower A,  
36<sup>th</sup> Floor, Unit A 3601  
230 Ratchadapisek Road  
Huaykhwang, Bangkok 10310  
Thailand  
Phone: +66 2 248 8787  
thailand@zeiss.com.sg

##### United Kingdom

Carl Zeiss Ltd.  
509 Coldhams lane  
Cambridge  
CAMBS  
CB1 3JS,  
United Kingdom  
Phone: +44 1223 401450  
customercare@zeiss.co.uk

##### United States of America

Carl Zeiss Meditec, Inc.  
5160 Hacienda Drive  
Dublin, CA 94568  
USA  
Phone: +1 925 557 4100  
info@meditec.zeiss.com

EN\_30\_010\_0186III SUR.5293 Rev.B Printed in Germany AW-CZ-VIII/2013 Koo  
The contents of the brochure may differ from the current status of approval of the product in your country. Please contact our regional representative for more information.  
Subject to change in design and scope of delivery and as a result of ongoing technical development. Printed on elemental chlorine-free bleached paper.  
OPMI, Varoskop and VisionGard are registered trademarks of ZEISS. PROMAG, FlexioStill and FlexioMotion are trademarks of ZEISS.  
© 2013 by Carl Zeiss Meditec AG. All copyrights reserved.



**Carl Zeiss Meditec AG**

Goeschwitzer Strasse 51–52

07745 Jena

Germany

[www.meditec.zeiss.com/OPMI-pico](http://www.meditec.zeiss.com/OPMI-pico)

[www.meditec.zeiss.com/contacts](http://www.meditec.zeiss.com/contacts)